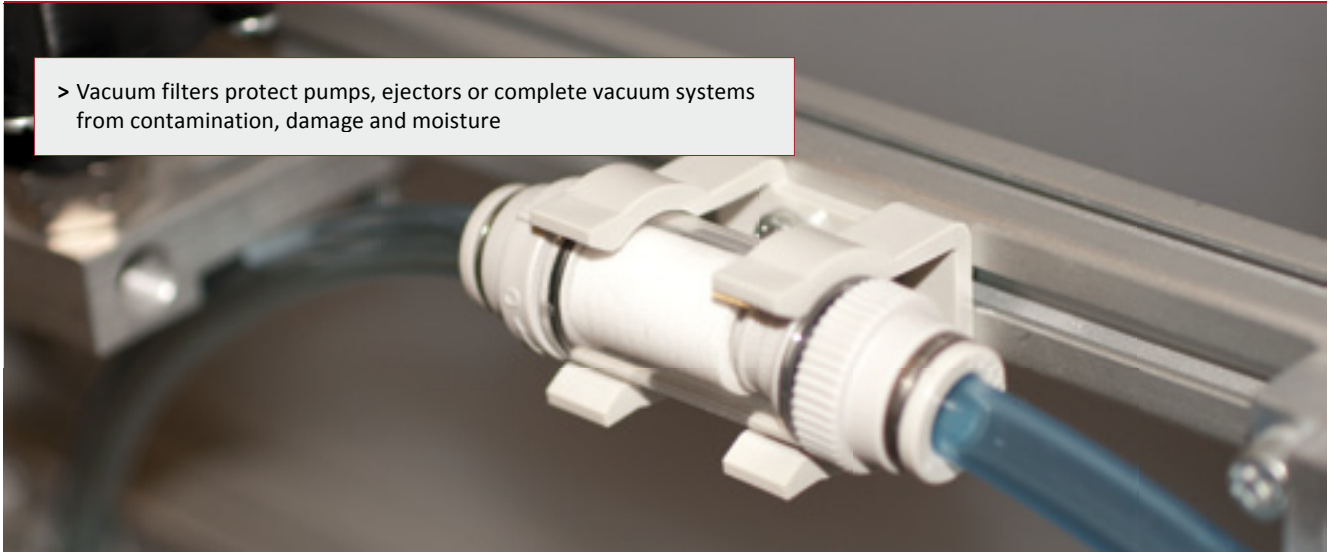


<b>Vacuum filters at a glance</b> .....	<b>622</b>
<b>Universal filters for large volume flows</b> .....	<b>624</b>
<b>Filters for wet areas</b> .....	<b>627</b>
<b>Inline filters</b> .....	<b>628</b>



## FIPA Vacuum filters

> Vacuum filters protect pumps, ejectors or complete vacuum systems from contamination, damage and moisture



### Pump filters / pre-filters with paper cartridge

- > Installation at suction inlet of vacuum pumps or side channel blowers
- > Separation of fine particles using a very fine filter mesh of 5 to 7  $\mu\text{m}$
- > Suitable for dry areas

#### FC 10F - FC 100F

- > Aluminium housing with quick release for filtration control or for cartridge change

> See page 624

#### 71.032 - 71.043

- > Plastic housing with sight glass for checking the filtration effect

> See page 625



### Universal filters with steel cartridge (FB 5 - FB 60)

- > Installation at the suction inlet or in the suction line of vacuum pumps or side channel blowers
- > Suitable for wet and dry areas
- > Separation of coarse particles, dust and dirt using a 60  $\mu\text{m}$  filter mesh
- > Robust filter inserts made of stainless steel
- > Filter bowl and connection cover made from die-cast aluminium  
**with the exception of FB 5 - FB 20: filter bowl made from transparent plastic**

> See page 626



## FIPA Vacuum filters



### Filters / condensate traps

- > Installation at suction inlet of vacuum pumps or side channel blowers
- > Suitable for wet and dry areas
- > Protects vacuum generators from excessive water uptake
- > Separation of coarse particles, dust and dirt using a filter mesh of between 30 and 100  $\mu\text{m}$
- > Plastic housing with sight glass for checking the filtration effect
- > Drainage screw on the bottom for draining the collected liquid

> See page 627



### Inline, plug-in and ring filters

- > Installation between vacuum cup and ejector or generally in the tubing line of vacuum systems
- > Separation of fine particles and moisture using a 10  $\mu\text{m}$  filter mesh
- > Suitable for wet and dry areas

> See page 628



### Disposable filters

- > Installation between vacuum cup and ejector or generally in the tubing of vacuum systems
- > Suitable for wet and dry areas

#### 71.030

- > Separation of very fine particles using a 7  $\mu\text{m}$  filter mesh

#### 71.031

- > Separation of coarse particles, dust and dirt using a 152  $\mu\text{m}$  filter mesh

> See page 630



### Filters for feed ejectors

- > Separation of fine particles using a 10  $\mu\text{m}$  filter mesh

#### 71.012 - 71.016

- > Mounting in front of compressed air inlet on ejector

> See page 631

#### 71.017 - 71.021

- > Mounting behind ejector as collection or separation vessel

> See page 632



# Vacuum filters | Universal filters for large volume flows

Pump filters / pre-filters with paper cartridge

## Pump filters / pre-filters with paper cartridge

Suitable for dry areas



### Product Description

- > For use directly on the suction opening of dry-running rotary-vane pumps
- > To protect vacuum pumps from damage or excessive wear
- > High filtration efficiency due to large filter surface
- > Robust metallic housing for long service life
- > Quick fastener for prompt checking or replacement of the filter cartridge

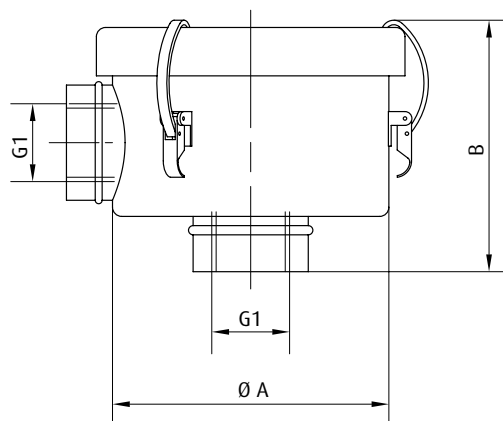
### Technical data

Item no.	Max. volume flow [m <sup>3</sup> /h]	Grade of filtration [µm]	Weight [kg]	Suitable spare cartridges
<b>FC 10F</b>	25	5 - 7	0.36	FC 10F-Kartusche
<b>FC 20F</b>	45	5 - 7	0.72	FC 20F/25F-Kartusche
<b>FC 25F</b>	50	5 - 7	0.73	FC 20F/25F-Kartusche
<b>FC 30F</b>	90	5 - 7	1	FC 30F/35F-Kartusche
<b>FC 35F</b>	110	5 - 7	1	FC 30F/35F-Kartusche
<b>FC 40F</b>	150	5 - 7	1.88	FC 40F-Kartusche
<b>FC 50F</b>	200	5 - 7	2.5	FC 50F-Kartusche
<b>FC 60F</b>	320	5 - 7	3.75	FC 60F-Kartusche
<b>FC 80F</b>	360	5 - 7	3.3	FC 80F-Kartusche
<b>FC 100F</b>	540	5	5	FC 100F-Kartusche

### Dimensions

G1	Ø A [mm]	B [mm]
G3/8	83	80
G1/2	108	93
G3/4	108	93
G1	133	96
G1 1/4	133	96
G1 1/4	176	161
G1 1/2	176	200
G2	200	258
G3	200	258
G4	305	320

### Dimensions



# Vacuum filters | Universal filters for large volume flows

Pump filters / pre-filter with paper cartridge



Pump filters / pre-filters with paper cartridge

Suitable for dry areas



## Product Description

- > For use directly on the suction opening of dry-running rotary-vane pumps
- > To protect vacuum pumps from damage or excessive wear
- > High filtration efficiency due to large filter surface
- > Light-weight plastic housing
- > Inspection glass to monitor the filtration effect
- > Examples of use: graphics, textile and pharmaceutical industries

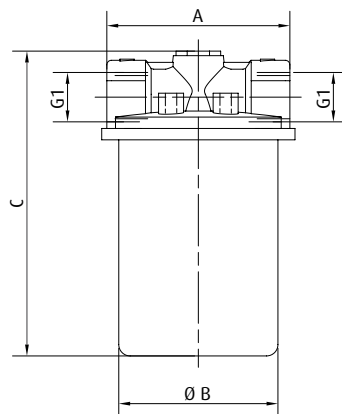
## Technical data

Item no.	Max. volume flow [m <sup>3</sup> /h]	Grade of filtration [μm]	Weight [g]	Suitable spare cartridges
71.032	12	30	180	71.032-Kartusche
71.033	24	30	370	71.033-Kartusche
71.034	30	30	360	71.033-Kartusche
71.043	100	25	900	71.043-Kartusche

## Dimensions

G1	A [mm]	Ø B [mm]	C [mm]
G1/4	62	62	82
G3/8	85	85	138
G1/2	85	85	138
G1	145	145	240

## Dimensions





# Vacuum filters | Universal filters for large volume flows

Universal filter with steel cartridge

## Universal filter with steel cartridge

Suitable for dry and wet areas



FB 25 to FB 60

### Product Description

- > To protect vacuum pumps from damage or excessive wear
- > Separation of coarser particles, dust and dirt
- > Resistant filter elements made of stainless steel (INOX)
- > Filter incl. condensate trap

### Notes

- > FB 5 to FB 20: filter bowl made of transparent plastic
- > FB 25 to 60: filter bowl made of die cast aluminium

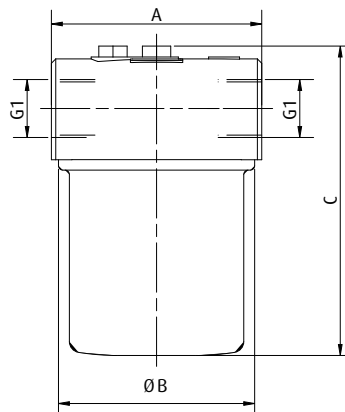
### Technical data

Item no.	Max. volume flow [m <sup>3</sup> /h]	Grade of filtration [µm]	Operating pressure [bar]	Max. operating temperature [°C]	Weight [kg]
<b>FB 5</b>	5	60	2	90	0.14
<b>FB 10</b>	10	60	2	90	0.26
<b>FB 20</b>	20	60	2	90	0.34
<b>FB 25</b>	40	60	4	90	0.87
<b>FB 30</b>	70	60	4	90	0.83
<b>FB 40</b>	150	60	4	90	3
<b>FB 50</b>	200	60	4	90	3.1
<b>FB 60</b>	300	60	4	90	3.2

### Dimensions

	A [mm]	Ø B [mm]	C [mm]
G1/4	61	59	74.5
G3/8	81	79	89
G1/2	81	79	117
G3/4	120	120	175
G1	120	112	175
G1 1/4	190	182	255
G1 1/2	190	182	300
G2	182	260	420

### Dimensions





### Filter / Condensate trap Precipitation of condensable vapors



#### Product Description

- > Efficient and reliable separation of water droplets out of vacuum systems
- > Easy installation after vacuum pumps or ejectors
- > Housing made of transparent plastics for filtration monitoring
- > Drainage valve at the bottom to discharge the collected condensate

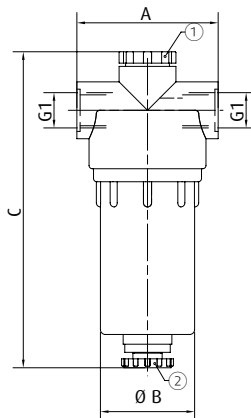
#### Notes

- > Filter needs to be ventilated before opening

#### Technical data

Item no.	Max. volume flow [m³/h]	Max. filling capacity [cm³]	Grade of filtration [µm]	Filter material	Max. input pressure [bar]	Max. operating temperature [°C]	Weight [kg]	Suitable spare cartridges
71.035	10.6	30	100	Stainless steel mesh	7.3	122	0.6	71.035-Kartusche
71.036	17.7	25	50	Polyethylene - sintered	7.3	122	0.8	71.036-Kartusche
71.037	21.2	40	30	Synthetic felt	7.3	122	1.7	71.037-Kartusche
71.038	35.3	50	30	Synthetic felt	7.3	122	5	71.038-Kartusche
71.039	58.9	100	30	Synthetic felt	7.3	122	9.3	71.039-Kartusche

#### Dimensions



① = Bleeding screw ② = Blow-off screw

Item no.	G1	A [mm]	Ø B [mm]	C [mm]
71.035	G3/8	80	75	135
71.036	G1/2	87	60	196
71.037	G3/4	125	100	255
71.038	G1	175	150	370
71.039	G1 1/2	220	190	450



# Vacuum filters | Inline filters

## Plug-in filters

### Plug-in filters



71.070 and 71.071: Plug-in pipe ( $\varnothing d1$ ) fits in  $\varnothing 4$  mm / 6 mm tubing connections

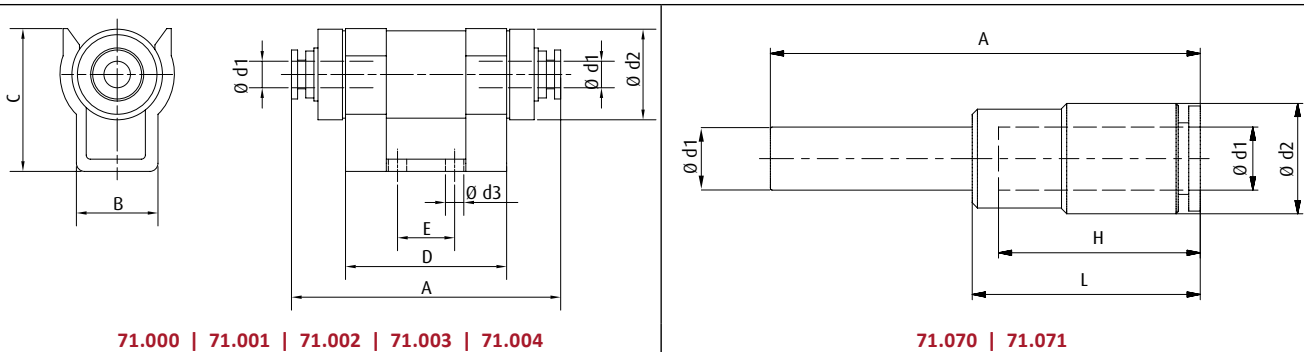
### Product Description

- > Trapping impurities and liquids, which can be suctioned via the vacuum cup or other systems
- > To protect vacuum components (e.g. ejectors) from damage or excessive wear
- > 71.000 to 71.004: Economical use due to replaceable filter cartridges

### Technical data

Item no.	Filter surface [cm <sup>2</sup> ]	Grade of filtration [ $\mu$ m]	Weight [g]	Suitable accessories
71.000	7.5	10	16	Holder VFUH2 Spare cartridge 71.005-Kartusche
71.001	7.5	10	17	Holder VFUH2 Spare cartridge 71.005-Kartusche
71.002	12.5	10	25	Holder VFUH3 Spare cartridge 71.006-Kartusche
71.003	12.5	10	27	Holder VFUH3 Spare cartridge 71.006-Kartusche
71.004	12.5	10	33	Holder VFUH3 Spare cartridge 71.006-Kartusche
71.070	0.8	10	1.5	--
71.071	1.1	10	2.5	--

### Dimensions



Item no.	$\varnothing d1$ [mm]	$\varnothing d2$ [mm]	$\varnothing d3$ [mm]	A [mm]	B [mm]	C [mm]	D [mm]	E [mm]	H [mm]	L [mm]
71.000	4	18.5	4.5	55	18	29	33	10	--	--
71.001	6	18.5	4.5	58	18	29	33	10	--	--
71.002	6	22.5	4.5	66	20	35	39.5	14	--	--
71.003	8	22.5	4.5	67.5	20	35	39.5	14	--	--
71.004	10	22.5	4.5	75	20	35	39.5	14	--	--
71.070	4	8	--	38.6	--	11	--	--	11	21.5
71.071	6	10.5	--	41	--	11.6	--	--	11.6	21.8





Ring filters

Used in connection with ejectors



Product Description

- > Installation between vacuum cup (IN) and ejector (OUT)
- > Absorption of dust and dirt that is introduced by the vacuum cup
- > Application primarily for inline and base ejectors
- > Economical use due to replaceable filter cartridges

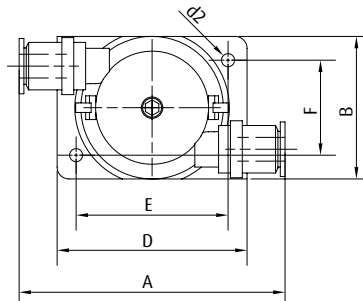
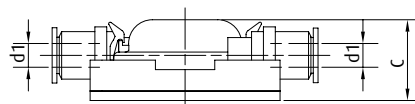
Technical data

Item no.	Filter surface [cm <sup>2</sup> ]	Grade of filtration [μm]	Weight [g]	Suitable spare cartridges
71.007	20	10	206	71.022-Kartusche
71.008	20	10	204.5	71.022-Kartusche
71.009	20	10	198	71.022-Kartusche
71.010	20	10	190.5	71.022-Kartusche
71.011	20	10	231.5	71.022-Kartusche

Dimensions

d1 [mm]	d2 [mm]	A [mm]	B [mm]	C [mm]	D [mm]	E [mm]	F [mm]
6	5.5	113	60	37.5	80	60	40
8	5.5	113	60	37.5	80	60	40
10	5.5	114	60	37.5	80	60	40
12	5.5	113	60	37.5	80	60	40
16	5.5	128	60	37.5	80	60	40

Dimensions





# Vacuum filters | Inline filters

## Disposable filters

### Disposable filters



71.030



71.031

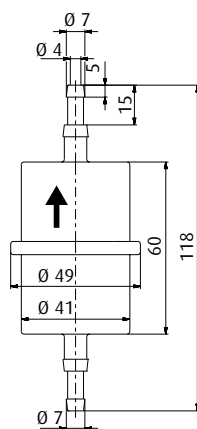
### Product Description

- > 71.030: Separation of very fine particles with a 7 $\mu$ m filter mesh
- > 71.031: Separation of coarse particles, dust and dirt using a 152 $\mu$ m filter unit

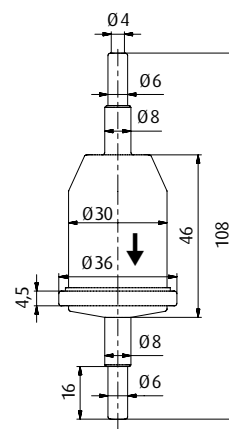
### Technical data

Item no.	Max. volume flow [l/min]	Grade of filtration [ $\mu$ m]	Filter material	Max. operating temperature [ $^{\circ}$ C]	Weight [g]
71.030	120	7	Paper	50	30
71.031	100	152	PP, PE	50	12

### Dimensions



71.030



71.031





# Vacuum filters | Inline filters

Filters for feed ejectors

## Filters for feed ejectors



### Product Description

Filter is used at the exhaust outlet of an ejector (IN) to collect the transported particles. The air is released via OUT.

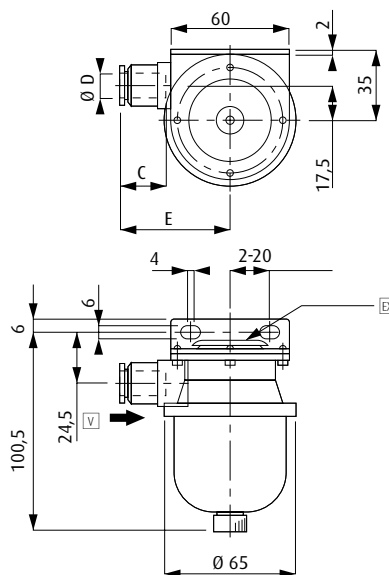
### Technical data

Item no.	Filter surface [cm <sup>2</sup> ]	Grade of filtration [μm]	Weight [g]
71.017	20	10	195.5
71.018	20	10	194.5
71.019	20	10	191.5
71.020	20	10	187.5
71.021	20	10	199

### Dimensions

Ø D [mm]	C [mm]	E [mm]
6	17	48
8	18.5	48
10	21	48.5
12	23.5	48
16	25	55.5

### Dimensions



V = Vacuum connection O = Output